

Bluetooth® Module WML-C09 Class 2

Telecommunication component

OUTLINE

Wireless communication module conforming to Bluetooth® Ver. 1.1.

Applications include notebook PCs, cellular phones, digital cameras, PDA, PC peripheral equipment such as printers and terminal adapters.

*The Bluetooth® word mark and logos are owned by the Bluetooth SIG, Inc.



FEATURES

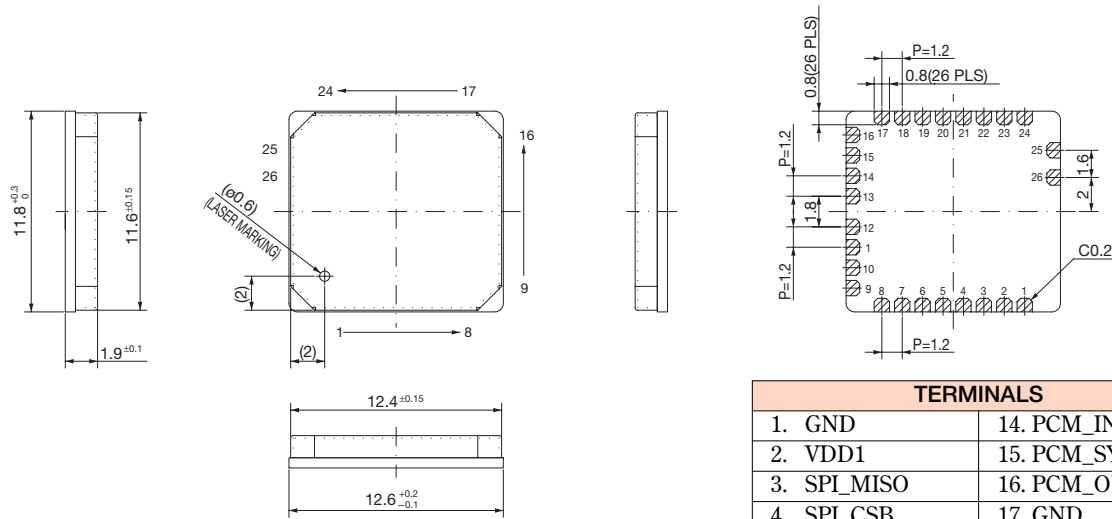
1. Reducing the size and thickness greatly due to the high-density surface mounting technology.
2. Long-distance communication due to its high sensitivity.
3. UART, USB and PCM interfaces available to various applications.
4. Conforms to FCC, CE and the EMI standard of each country.
5. Conforming to Bluetooth® Class2.
6. Operating temperature range : - 40~+85°C.
7. Two types of models : With/Without an antenna are provided.

SPECIFICATIONS

Item		Specifications
Frequency		2402 ~ 2480MHz
Modulation		FHSS/GSFK
Channel intervals		1MHz
Number of channels		79CH
Power supply voltage		1.8V(±0.05V), 3.3V(2.9V~3.4V)
Current consumption		60mA typ.
Transmission rate		721kbps
Receive sensitivity		-80dBm typ.
Output level (Class2)		4dBm max.
Dimensions	Without an antenna	11.8(W)×12.6(L)×1.9(H)mm
	With an antenna	11.8(W)×17.6(L)×1.9(H)mm

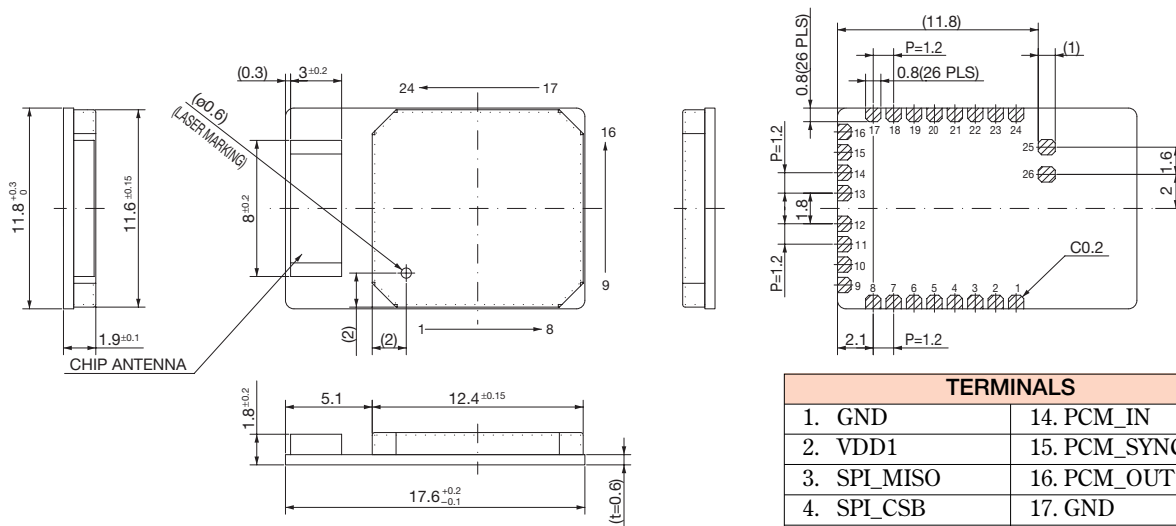
DIMENSIONS

● WML-C09 (Without an antenna)



TERMINALS	
1. GND	14. PCM_IN
2. VDD1	15. PCM_SYNC
3. SPI_MISO	16. PCM_OUT
4. SPI_CSB	17. GND
5. SPI_CLK	18. USB_D+
6. SPI_MOSI	19. USB_D-
7. VDD2	20. PIO[2]/USB_PULL_UP
8. GND	21. PIO[3]/USB_RESUME
9. UART_CTS	22. PIO[4]
10. UART_RTS	23. RST(TBD)
11. UART_TX	24. GND
12. UART_RX	25. ANT
13. PCM_CLK	26. GND

● WML-C09 (With an antenna)



TERMINALS	
1. GND	14. PCM_IN
2. VDD1	15. PCM_SYNC
3. SPI_MISO	16. PCM_OUT
4. SPI_CSB	17. GND
5. SPI_CLK	18. USB_D+
6. SPI_MOSI	19. USB_D-
7. VDD2	20. PIO[2]/USB_PULL_UP
8. GND	21. PIO[3]/USB_RESUME
9. UART_CTS	22. PIO[4]
10. UART_RTS	23. RST(TBD)
11. UART_TX	24. GND
12. UART_RX	25. NC
13. PCM_CLK	26. NC

Unit : mm

*For the technical details of the products in this page, please refer to Sales & Marketing Div., RF - Network Sales Div. Phone: 042-310-5441.